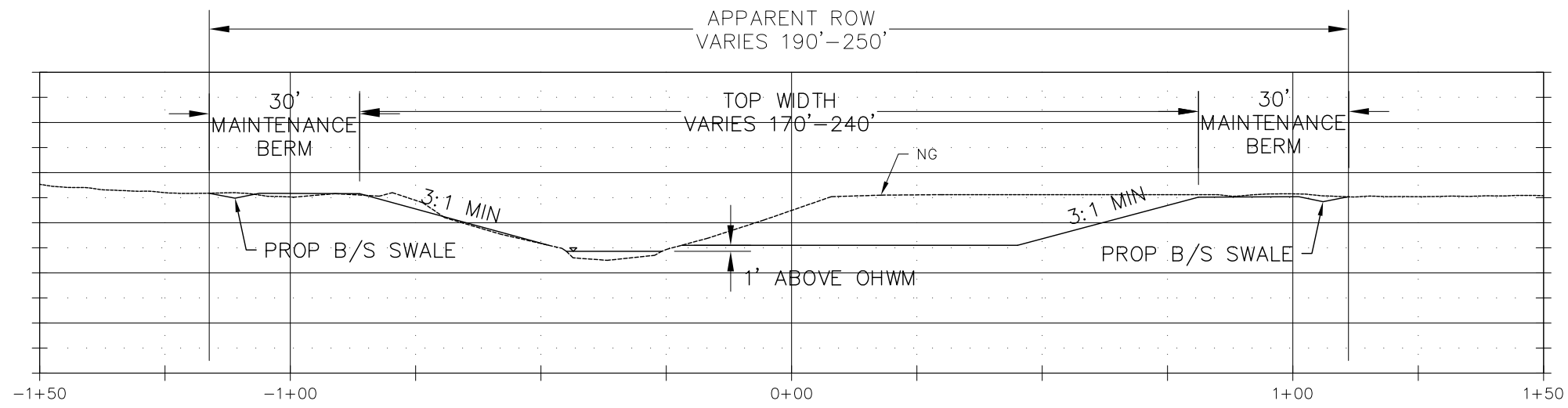
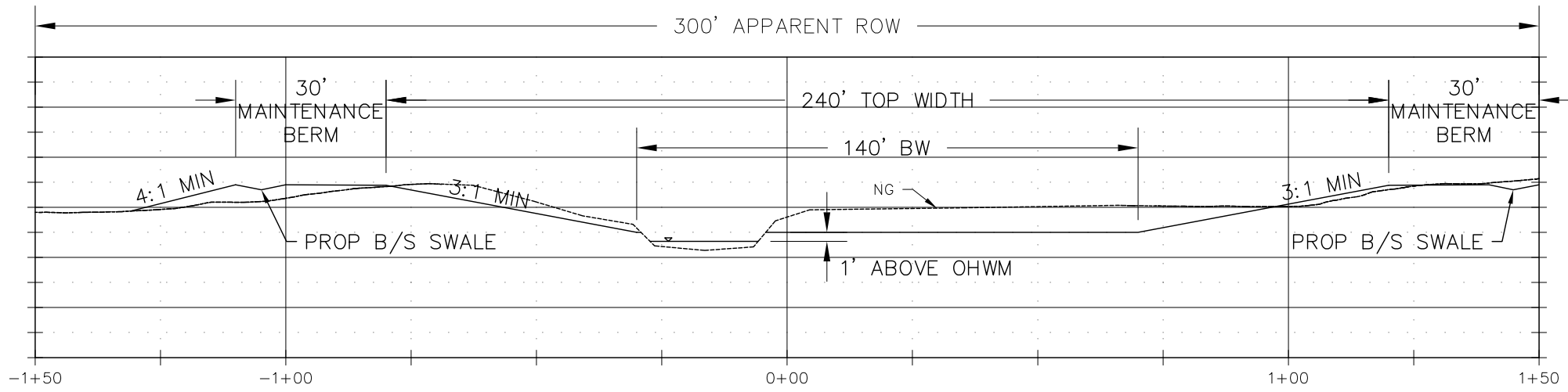


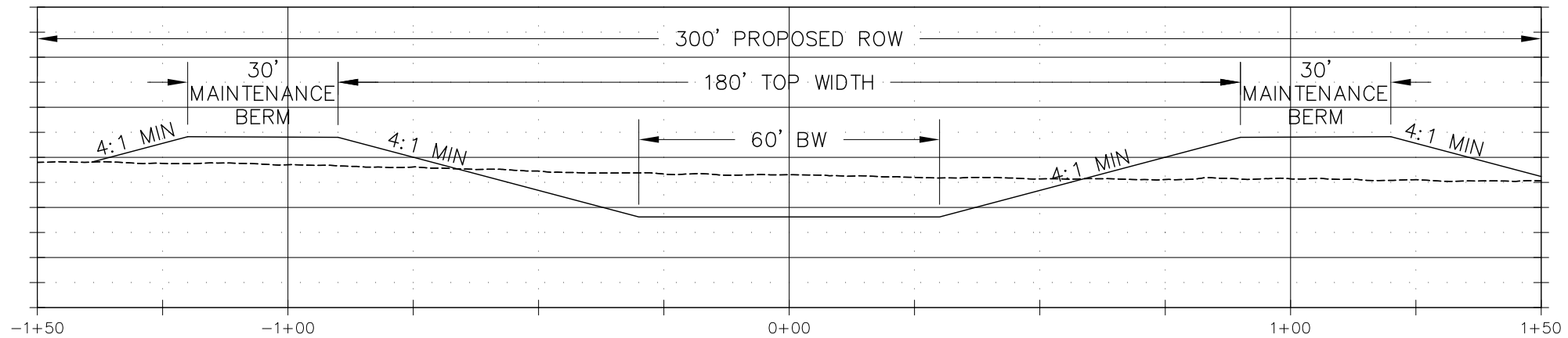
Y:\Projects\0015000\0016500\16532 Kingwood Diversion Ditch Improvements\CAD\Working Files\ALT 2 - Typ Sections.dwg



TYPICAL SECTION 1  
STA. 46+00 TO END





TYPICAL SECTION 2  
STA. 19+00 TO 46+00



TYPICAL SECTION 3  
STA. START TO 19+00

CONCEPTUAL DESIGN  
NOT FOR CONSTRUCTION

DATE	APPR				
DESCRIPTION					
REV					
PROJECT ID#	G103-38-00-E001				
CHANNEL	KINGWOOD DIVERSION CHANNEL				
ALTERNATIVE	ALTERNATIVE 2				
SECTION	CHANNEL TYPICAL SECTIONS				
PREPARED:	CL				
CHECKED:	DEM				
APPROVED:	MH				
 <p><b>NEEL-SCHAFFER</b> 13430 Northwest Freeway Suite 650 Houston, Texas 77040</p>					
 <p><b>HARRIS COUNTY FLOOD CONTROL DISTRICT</b> 9900 Northwest Freeway Houston, Texas 77092</p>					
DATE: 10-03-2022 SCALE: NTS					
SHEET NUMBER 1 OF 1					