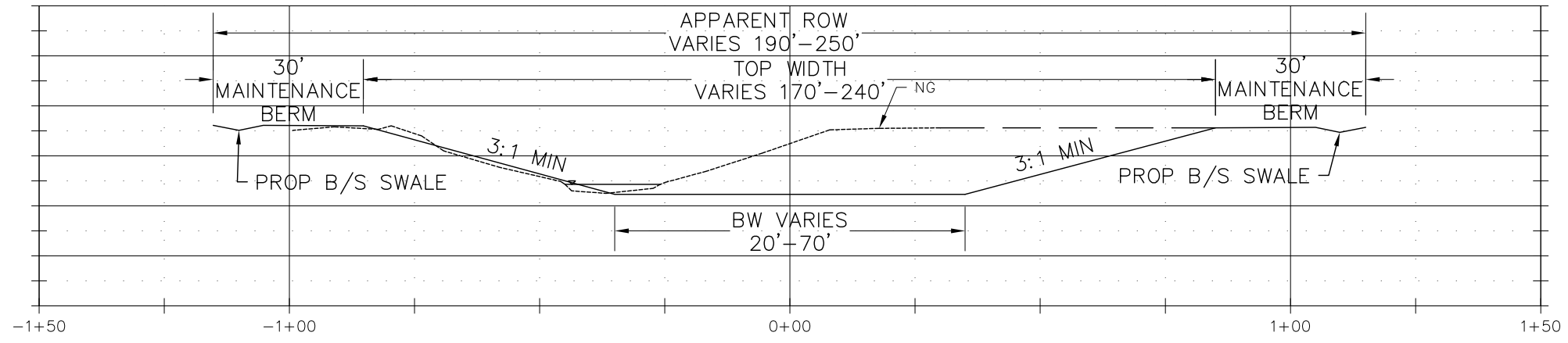
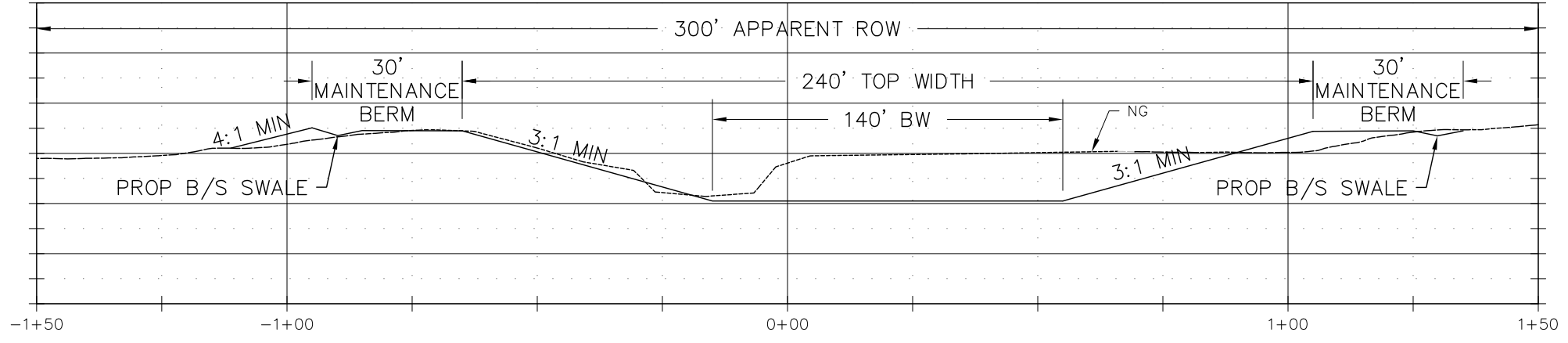


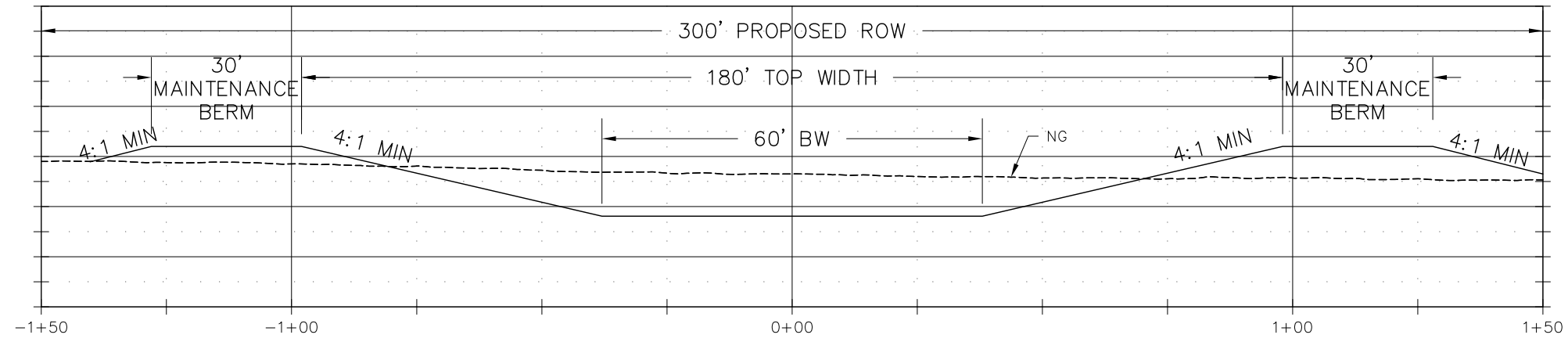
Y:\Projects\0015000\0016500\16532 Kingwood Diversion Ditch Improvements\CAD\Working Files\ALT 1 - Typ Sections.dwg



TYPICAL SECTION 1  
STA. 46+00 TO END





TYPICAL SECTION 2  
STA. 19+00 TO 46+00



TYPICAL SECTION 3  
STA. START TO 19+00

CONCEPTUAL DESIGN  
NOT FOR CONSTRUCTION

|  |                            |  |  |  |  |
|--|----------------------------|--|--|--|--|
| DATE   | APPR                       |  |  |  |  |
| DESCRIPTION  |                            |  |  |  |  |
| REV  |                            |  |  |  |  |
| PROJECT ID#  | G103-38-00-E001            |  |  |  |  |
|  | KINGWOOD DIVERSION CHANNEL |  |  |  |  |
|  | ALTERNATIVE 1              |  |  |  |  |
|  | CHANNEL TYPICAL SECTIONS   |  |  |  |  |
| PREPARED:  | CL                         |  |  |  |  |
| CHECKED:   | DEM                        |  |  |  |  |
| APPROVED:  | MH                         |  |  |  |  |
| <br><b>NEEL-SCHAFFER</b><br>13430 Northwest Freeway<br>Suite 650<br>Houston, Texas 77040                    |                            |  |  |  |  |
| <br><b>HARRIS COUNTY</b><br><b>FLOOD CONTROL DISTRICT</b><br>9900 Northwest Freeway<br>Houston, Texas 77092 |                            |  |  |  |  |
| DATE: 10-03-2022   |                            |  |  |  |  |
| SCALE: NTS   |                            |  |  |  |  |
| SHEET NUMBER   |                            |  |  |  |  |
| 1 OF 1   |                            |  |  |  |  |