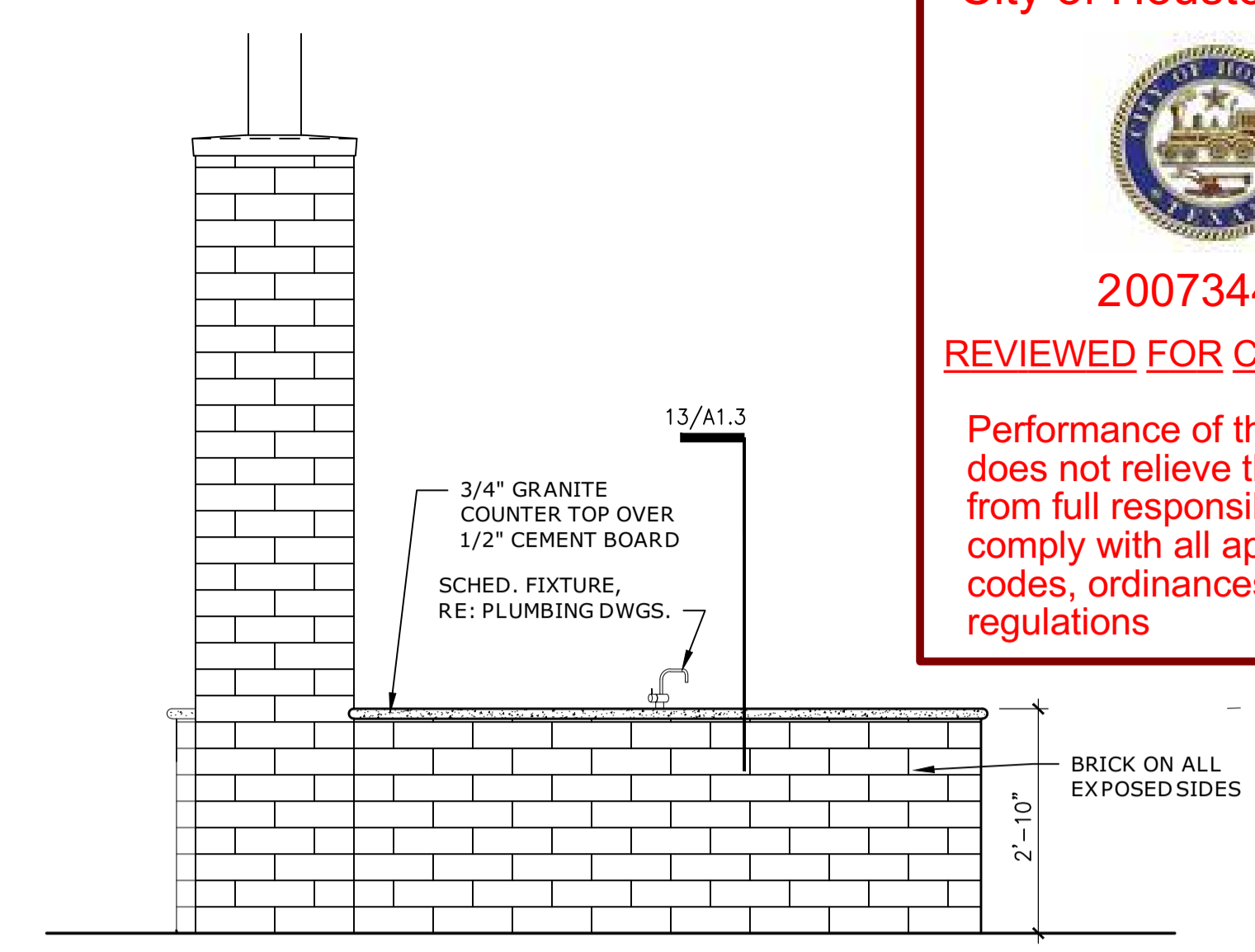




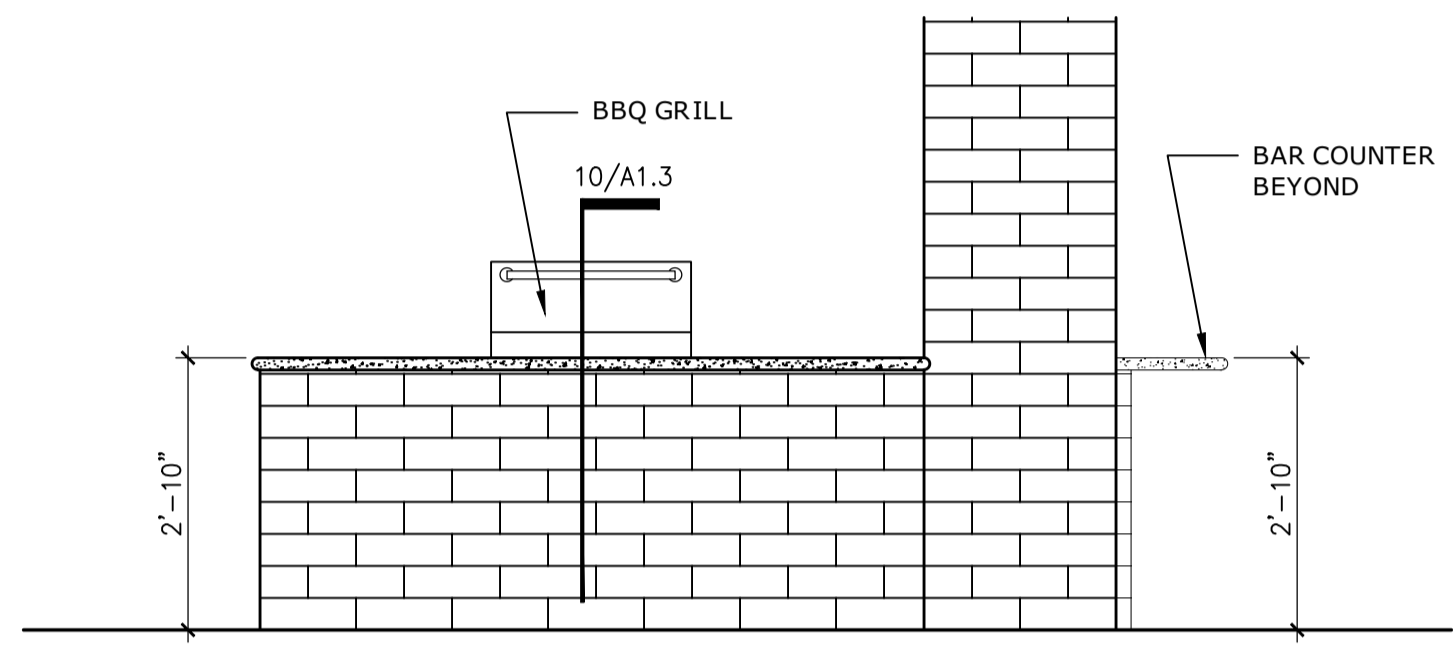
20073449

REVIEWED FOR COMPLIANCE

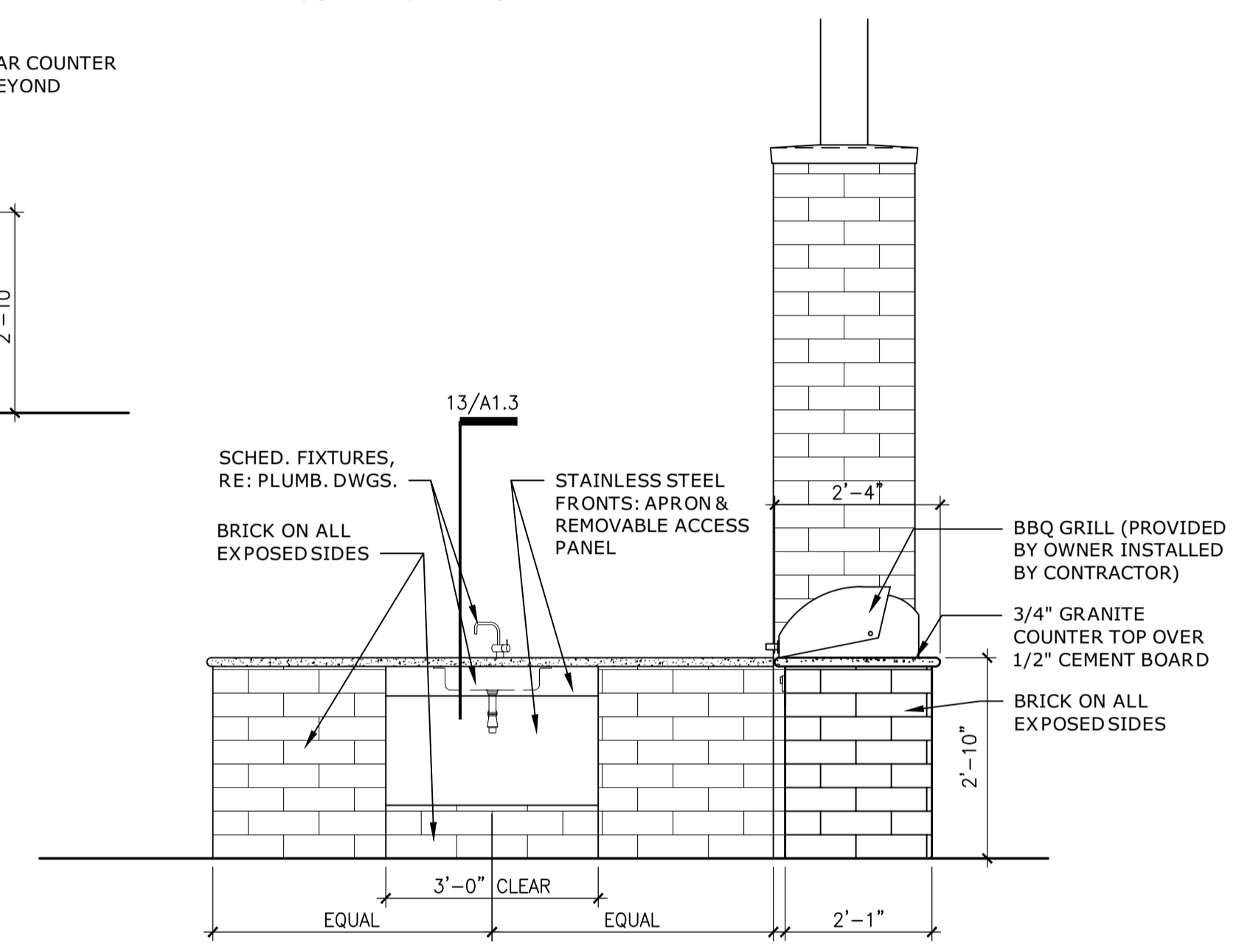
Performance of this review does not relieve the applicant from full responsibility to comply with all applicable codes, ordinances and regulations 01/21/21



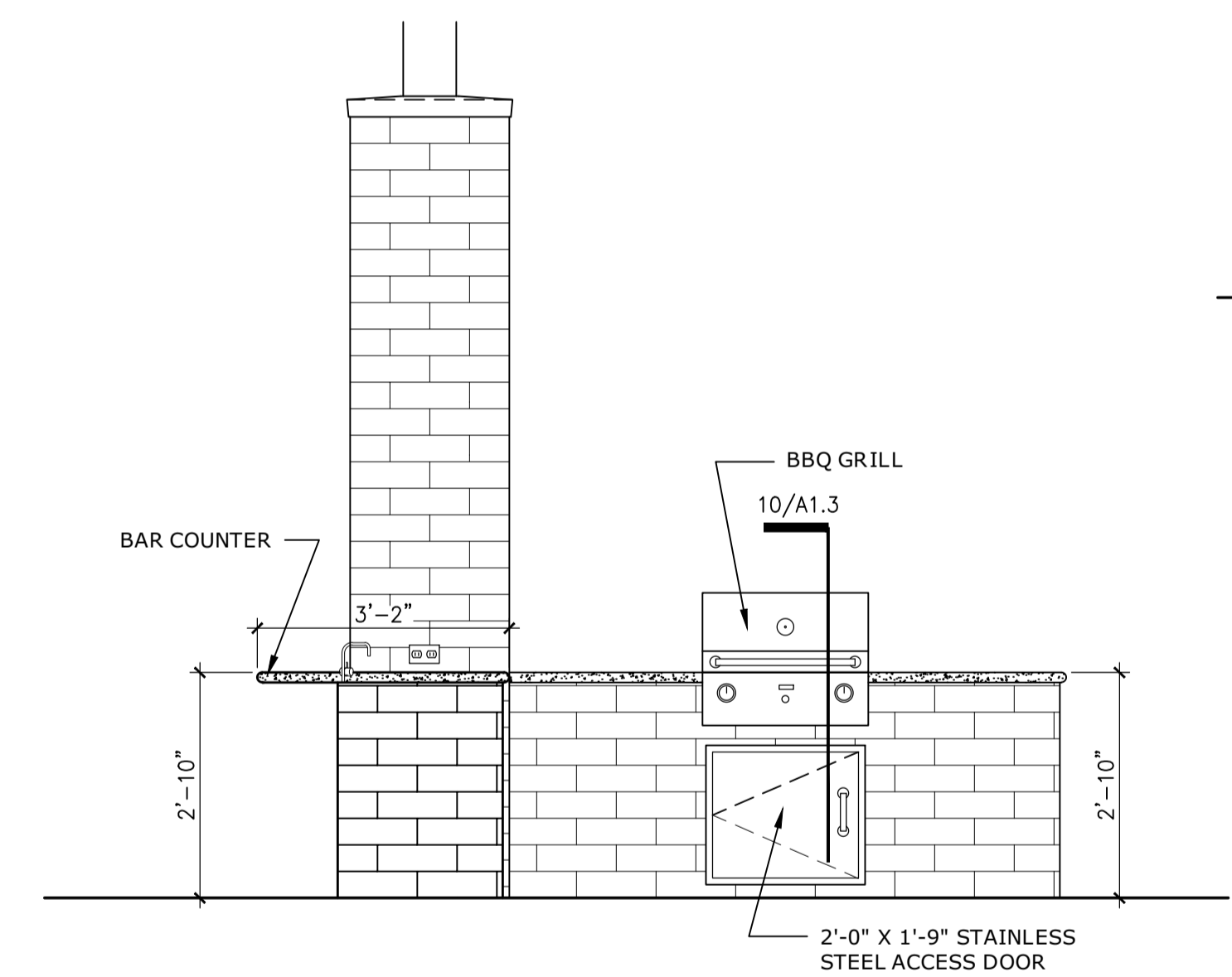
**03 ELEVATION AT BAR SINK**  
SCALE: 1/2" = 1'-0"



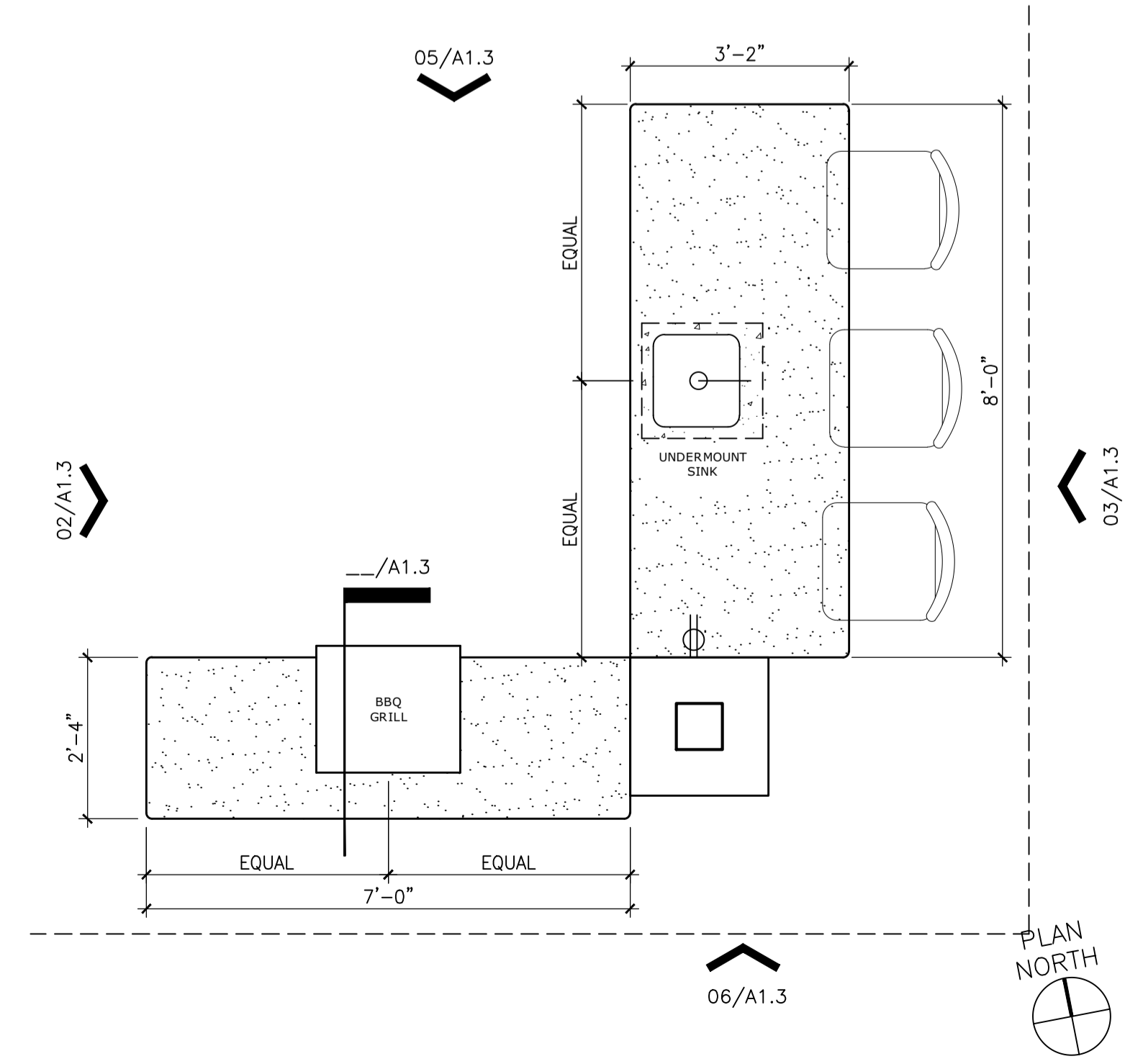
**06 ELEVATION AT GRILL**  
SCALE: 1/2" = 1'-0"



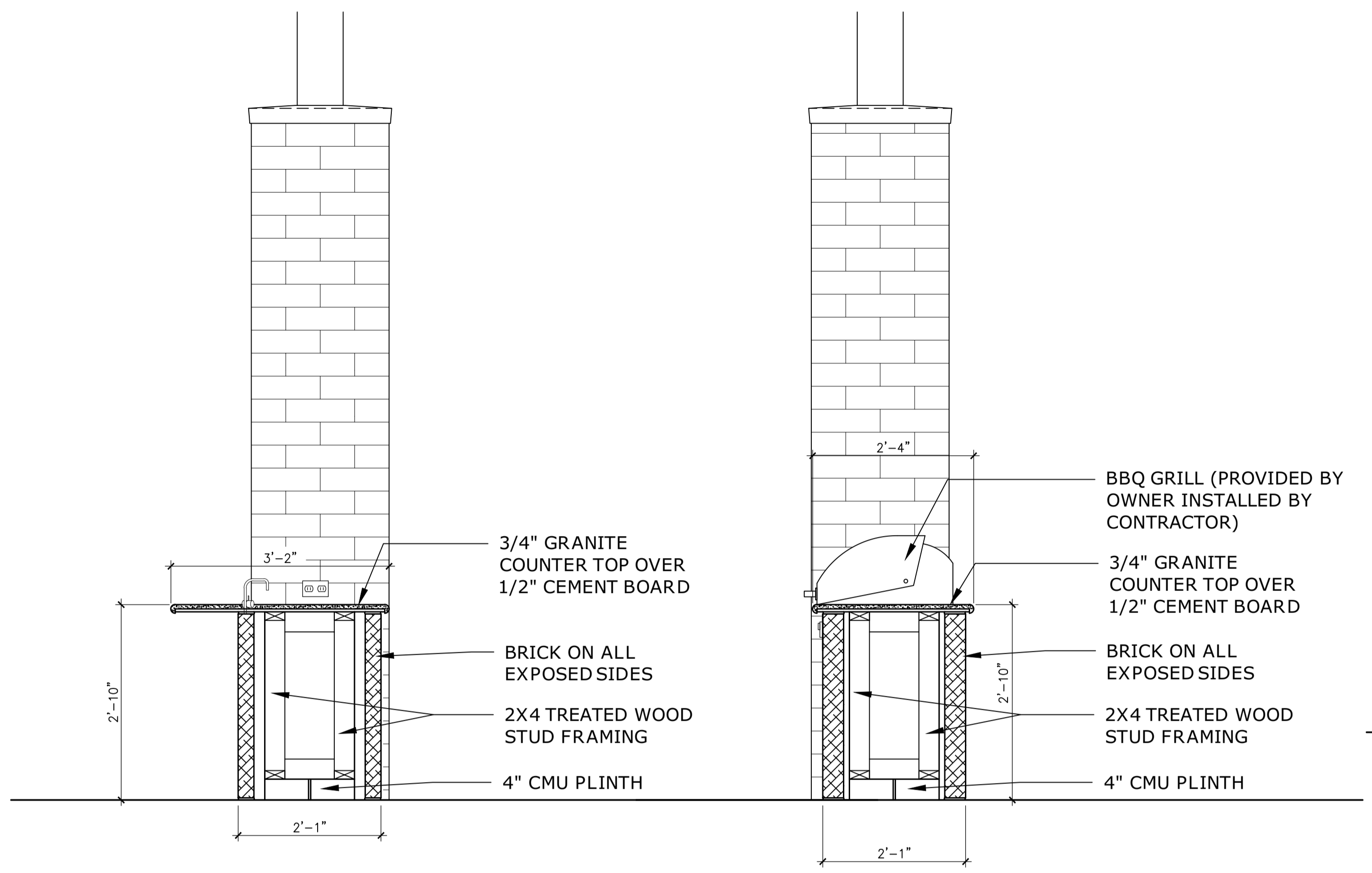
**02 ELEVATION AT BAR SINK**  
SCALE: 1/2" = 1'-0"



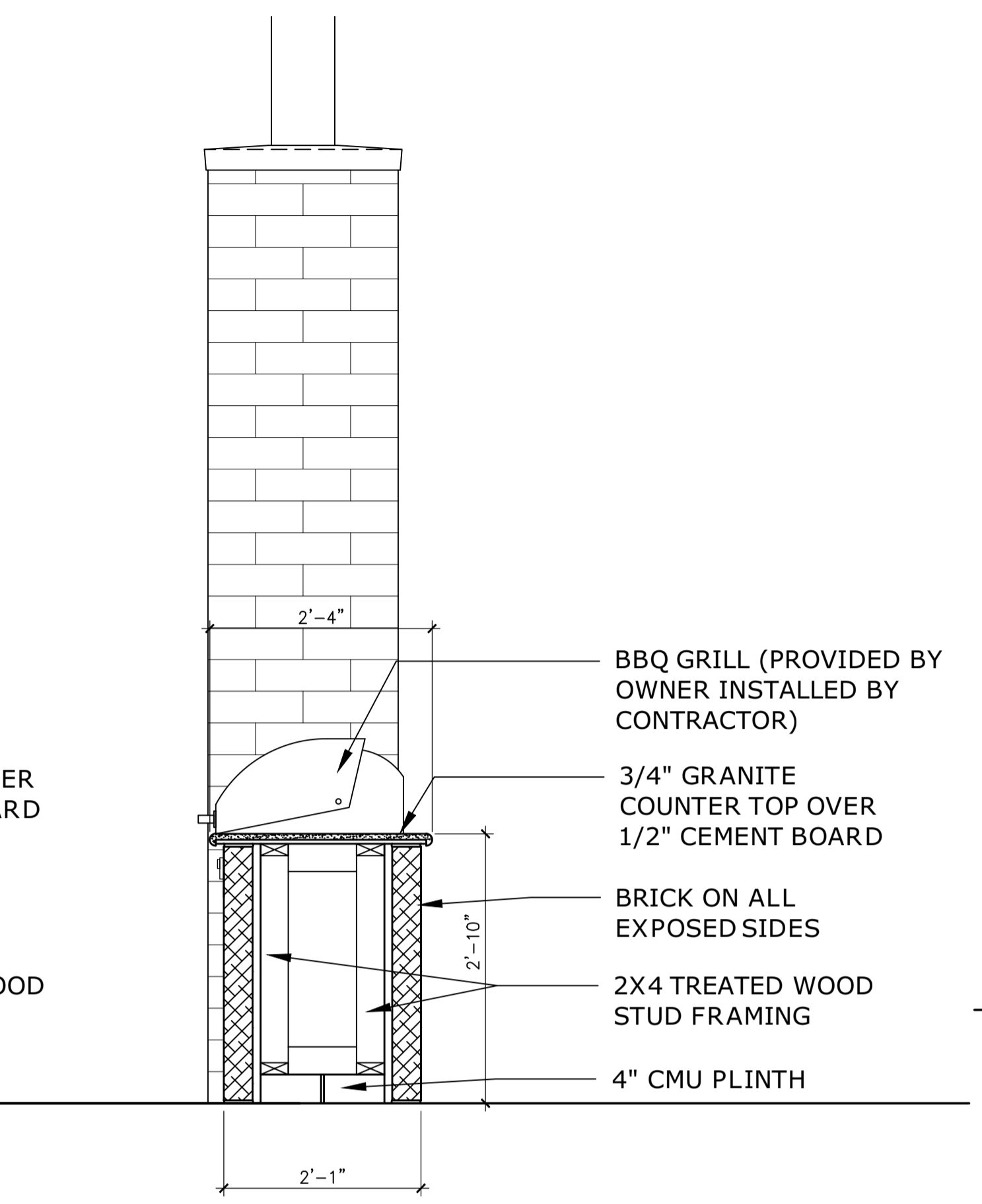
**05 ELEVATION AT GRILL**  
SCALE: 1/2" = 1'-0"



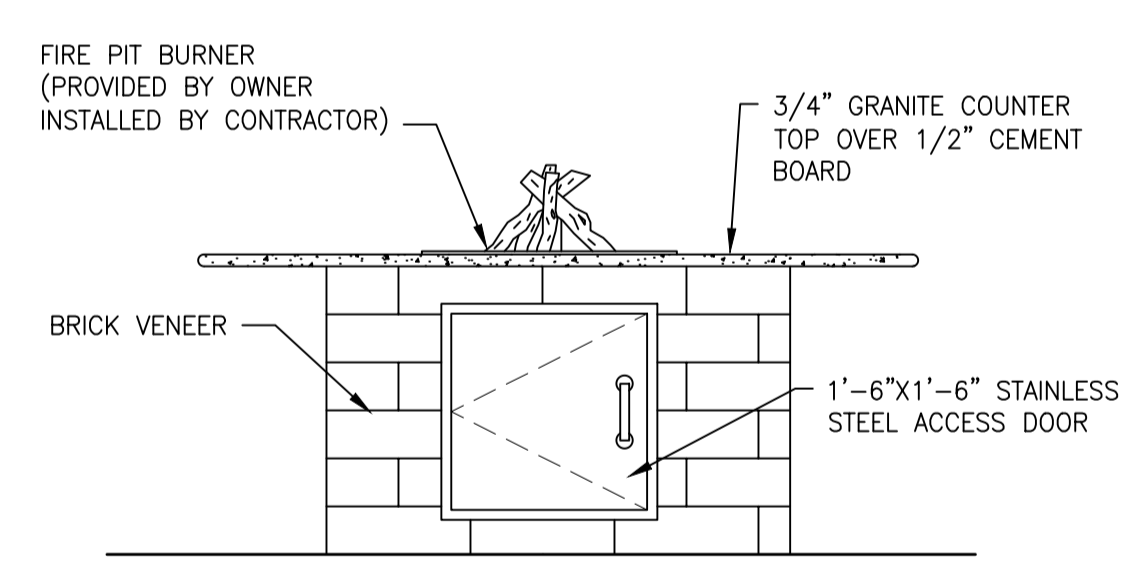
**01 OUTDOOR KITCHEN-REC. BUILDING**  
SCALE: 1/2" = 1'-0"



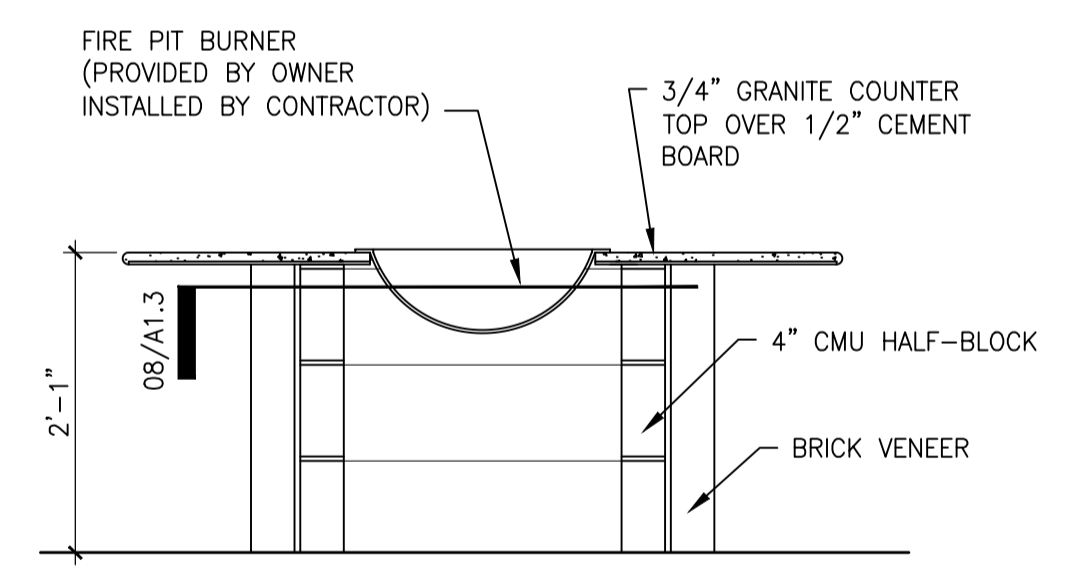
**13 SECTION AT BAR SINK**  
SCALE: 3/4" = 1'-0"



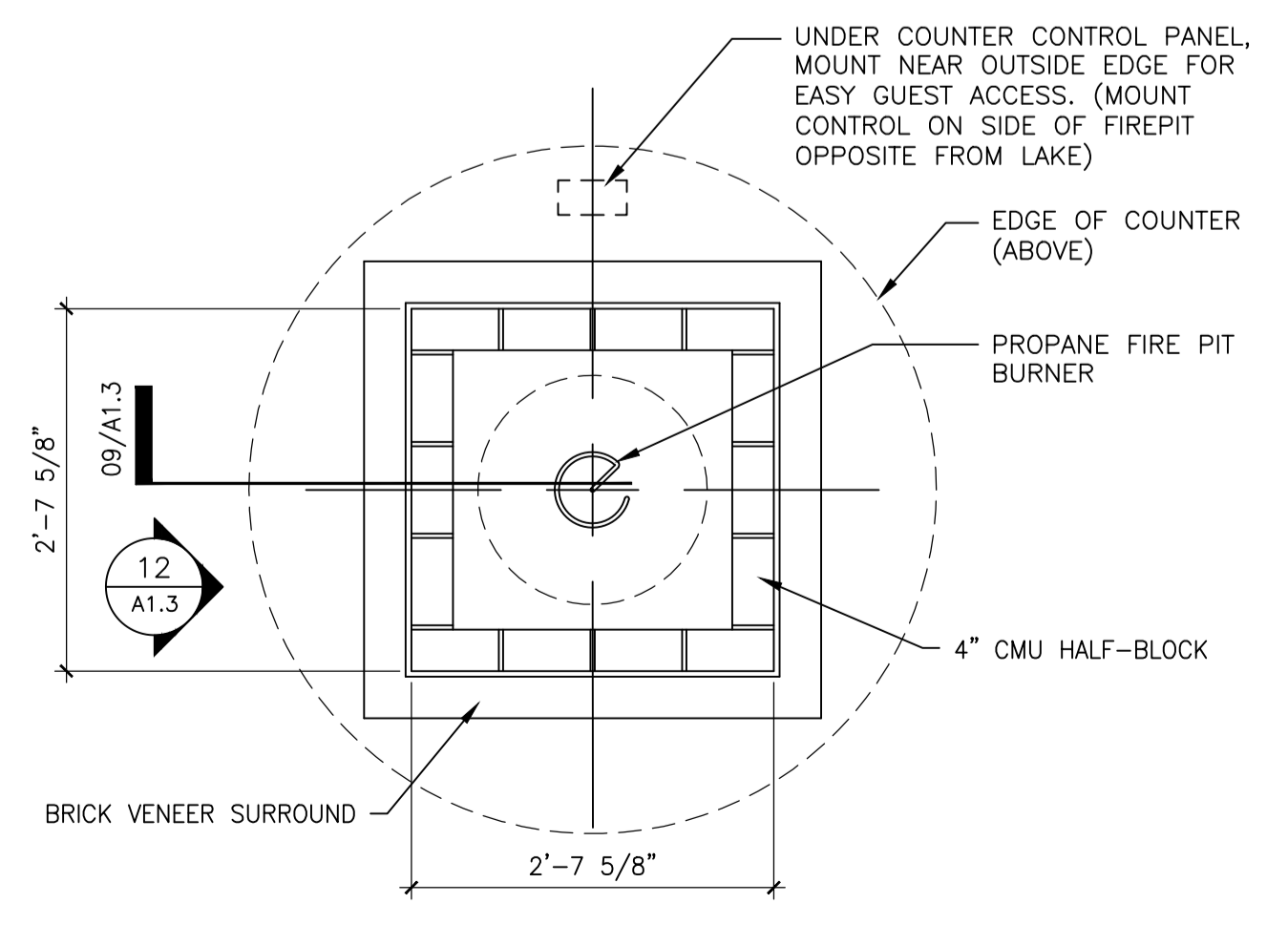
**10 SECTION AT GRILL**  
SCALE: 3/4" = 1'-0"



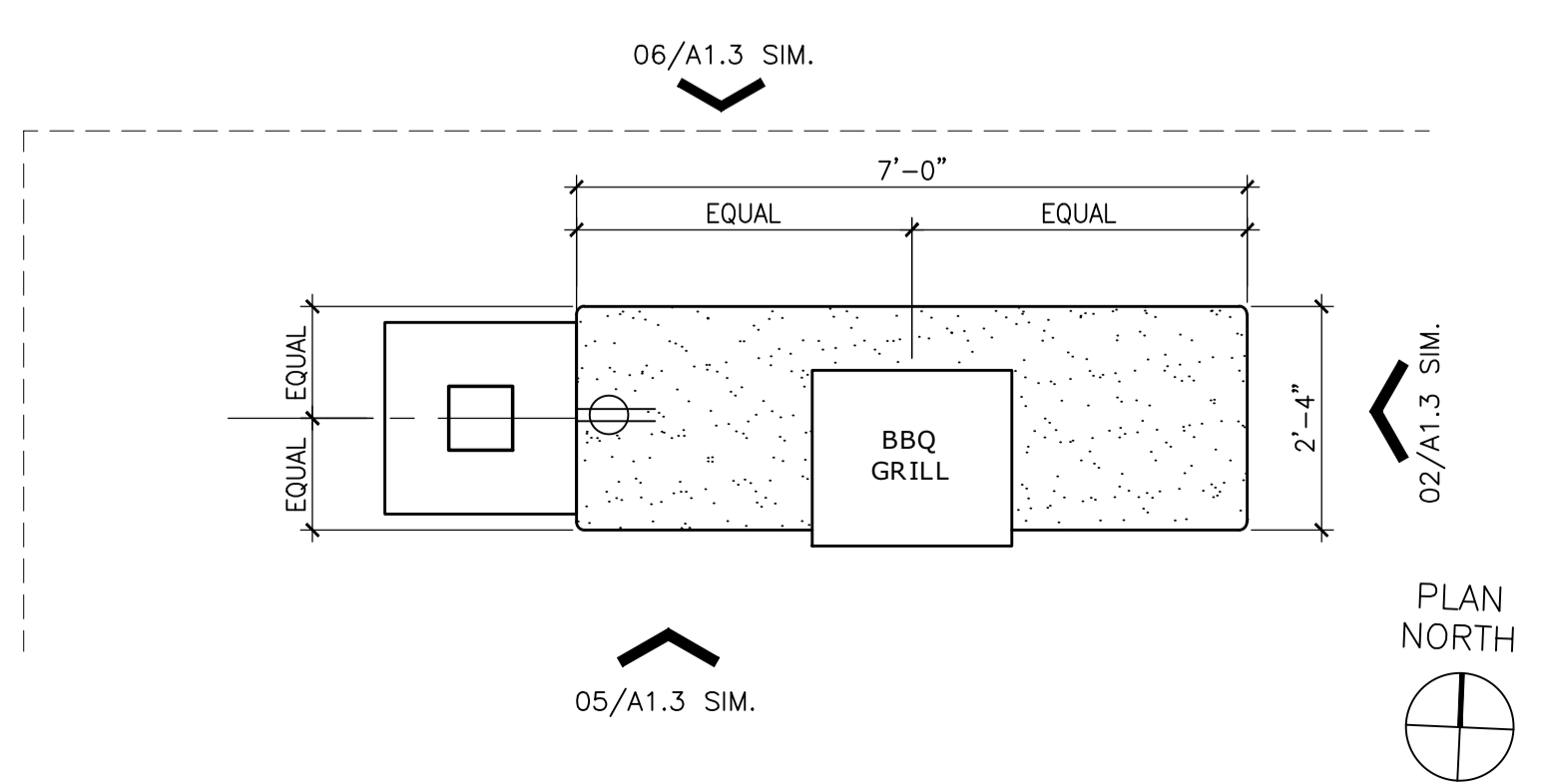
**12 ELEVATION AT FIRE PIT**  
SCALE: 3/4" = 1'-0"



**09 SECTION AT FIRE PIT**  
SCALE: 3/4" = 1'-0"



**08 FIRE PIT PLAN DETAIL**  
SCALE: 3/4" = 1'-0"



**04 OUTDOOR KITCHEN-COMFORT STATION**  
SCALE: 1/2" = 1'-0"

OSBORN & VANE ARCHITECTS

2000 Bering Drive, Suite 410  
Houston, Texas 77057  
713 781 5282  
Fax 713 781 5347  
Members American Institute of Architects



LAUREL SPRINGS  
RV RESORT

1355 LAUREL SPRINGS LANE  
HOUSTON, TEXAS 77339

Project No. 19077  
Drawn GC  
Checked JC  
OUTDOOR KITCHENS,  
FIRE PIT

Sheet No. **A1.3**